

iDRIVE®

CENTRALISE • OPTIMISE • ECONOMISE

Force 24™



Product Overview

The market leading iDrive® LED driver range now comprises the 672W iDrive® Force 24. The iDrive® range is optimised for use with all quality high powered LED products.

The patented iDrive® Force 24 is the first high powered LED driver which can vary the maximum forward current independently across 24 channels of LEDs between 100-1000mA.

Features

- 19 Inch rack mounted driver system - 1U
- High power density model - 672W output power
- Force 24 drives up to 384LEDs across 24 independent channels
- Universal mains input, 110V AC - 240V AC
- Patented Dynamic Power Control™
- Backlit 16x2 LCD display menu system
- 100mA to 1000mA LED forward current per channel in 10mA steps (subject to 672W total output of driver)
- 8-bit master channel current resolution to prove up to 4billion colours in 3 channels
- Wide output DC voltage range (1V to 48V DC)
- Intelligent rack management system for easy rack plug and play system configuration
- DMX and RDM protocol support
- Multiple channel bonding to create high current outputs > 6A
- 8 individual temperature measurement sensor inputs for dynamic lighting fixture protection
- As the DC voltage demand goes down, the forward current can be pushed up!
- Real time LED current & voltage monitoring
- Over 81,000 internal program scene options
- DMX Master/ Slave options
- Linear & Gamma corrected dimming curves selected on each channel

Electrical Specifications

Input

Input Voltage Range: 110 - 240V AC
Input Frequency: 50 - 60 Hz
Consumption: 1- 700 Watts
PFC @ 700W input power: 0.985
Efficiency: >85% at full load
Connection: Standard IEC mains filter
Standby Power: TBC
Insulation Class: 1
Max Peak Inrush @ 240V: + 100.5A / - 103.7A
Start up time: 4.8 seconds

Output

Output Power: 1-48 Watts per channel (MAX 672W total)
Output Current: 100 - 1000mA
Voltage Range: 1 - 48V DC per channel
(Output voltage and current subject to output power not being exceeded)
LED Connection: 8 Pin terminal connectors
Thermistor Connection: Pin terminal connectors

Control Input

Dimming control: DMX-512A or RDM
Connection: 5 - Pin XLR
Dimming Range: 0 - 100%
DMX Address Range: 001 - 510 via Menu system
Programs: See user manual for all pre-sets
Master / Slave Arrangement: See user manual
Thermal Feedback Control: Thermistor control - 4 options
Dimming Resolution: 8-bit & 8 bit Master Dim

Mechanical

Mounting: Standard 19" - 1U Rack System
Construction: Steel case to IP20
Weight: 7.5kg

Environmental

Operating Ambient Temperature: -10°C to + 40°C
Storage Ambient Temperature: -20°C to + 70°C
Case Temperature: + 75°C
Relative Humidity: 80%

Protection

Over voltage, Over Temperature, Overload, Short Circuit, Open Circuit, Withstand 300V AC surge input for 5 seconds

www.istl.com

iDrive® products are covered by IST's worldwide patent portfolio. For more information please refer to www.istl.com



19" 1U RACK MOUNTED 672W, 24 OUTPUT LED DRIVER
DMX & RDM compatible. Dynamic power control.

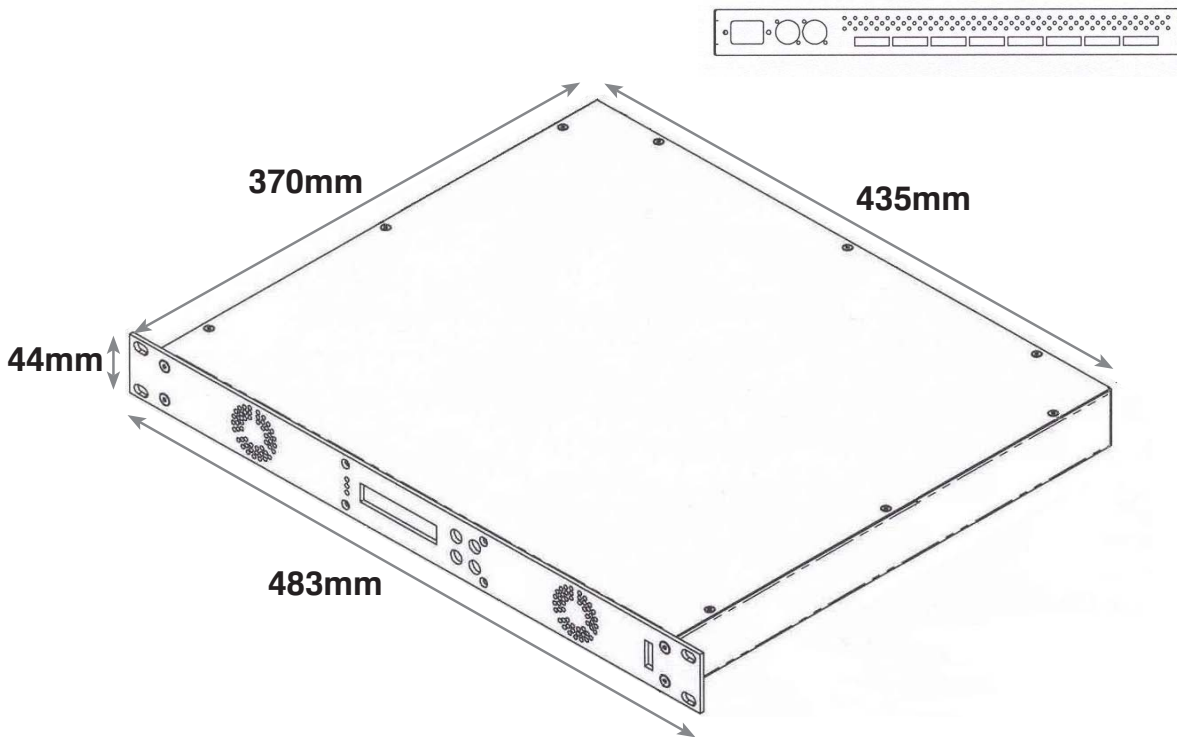
Version:
2.4



CENTRALISE • OPTIMISE • ECONOMISE

Force 24™

Dimensions



Recommended options

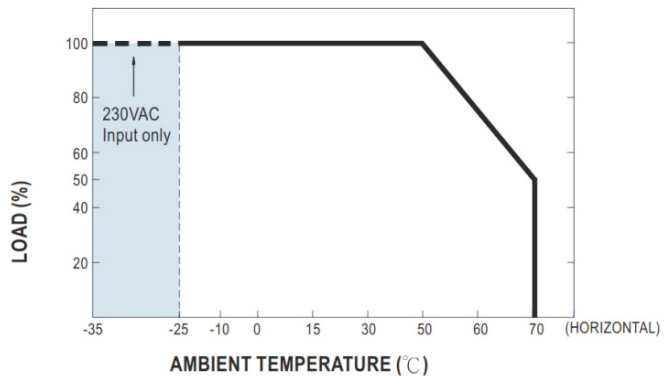


Double Section
Rack Enclosure
6U Code: ISTL-DW06U
12U Code: ISTL-DW12U



DMX Cables
Code: XLR010 1metre
XLR020 2metre
XLR050 5metre
XLR100 10metre

Derating curve



www.istl.com

t: +44 (0)121 362 1810 e: sales@istl.com

Integrated System Technologies Ltd., Serenity House, 31 Gate Lane, Sutton Coldfield B73 5TR

19" 1U RACK MOUNTED 672W, 24 OUTPUT LED DRIVER
DMX & RDM compatible. Dynamic power control.

Version: 2.4