

# iDrive® Innovation LED

## Force 24™



## Product Overview

The market leading iDrive® LED driver range now comprises the 672W iDrive® Force 24. The iDrive® range is optimised for use with all quality high powered LED products.

The patented iDrive® Force 24 is the first high powered LED driver which can vary the maximum forward current independently across 24 channels of LEDs between 100-1000mA.

### Features

- 19 Inch rack mounted driver system - 1U
- High power density model - 672W output power
- Force 24 drives up to 384 LEDs across 24 independent channels
- Universal mains input, 110V AC - 240V AC
- Patented Dynamic Power Control™
- Backlit 16x2 LCD display menu system
- 100mA to 1000mA LED forward current per channel in 10mA steps (subject to 672W total output of driver)
- 8-bit master channel current resolution to prove up to 4 billion colours in 3 channels
- Wide output DC voltage range (1V to 48V DC)
- Intelligent rack management system for easy rack plug and play system configuration
- DMX and RDM protocol support
- Multiple channel bonding to create high current outputs > 6A
- 8 individual temperature measurement sensor inputs for dynamic lighting fixture protection
- As the DC voltage demand goes down, the forward current can be pushed up!
- Real time LED current & voltage monitoring
- Over 81,000 internal program scene options
- DMX Master/ Slave options
- Linear & Gamma corrected dimming curves selected on each channel

## Electrical Specifications

### Input

Input Voltage Range: 110 - 240V AC  
Input Frequency: 50 - 60 Hz  
Consumption: 1 - 700 Watts  
PFC @ 700W input power: 0.985  
Efficiency: >85% at full load  
Connection: Standard IEC mains filter  
Standby Power: TBC  
Insulation Class: 1  
Max Peak Inrush @ 240V: + 100.5A / - 103.7A  
Start up time: 4.8 seconds

### Output

Output Power: 1-48 Watts per channel (MAX 672W total)  
Output Current: 100 - 1000mA  
Voltage Range: 1 - 48V DC per channel  
(Output voltage and current subject to output power not being exceeded)  
LED Connection: 8 Pin terminal connectors  
Thermistor Connection: Pin terminal connectors

### Control Input

Dimming control: DMX-512A or RDM  
Connection: 5 - Pin XLR  
Dimming Range: 0 - 100%  
DMX Address Range: 001 - 510 via Menu system  
Programs: See user manual for all pre-sets  
Master / Slave Arrangement: See user manual  
Thermal Feedback Control: Thermistor control - 4 options  
Dimming Resolution: 8-bit & 8 bit Master Dim

### Mechanical

Mounting: Standard 19" - 1U Rack System  
Construction: Steel case to IP20  
Weight: 7.5kg

### Environmental

Operating Ambient Temperature: -10°C to + 70°C  
Storage Ambient Temperature: -20°C to + 70°C  
Case Temperature: + 75°C  
Relative Humidity: 80%

### Protection

Over voltage, Over Temperature, Overload, Short Circuit, Open Circuit, Withstand 300V AC surge input for 5 seconds

[www.istl.com](http://www.istl.com)

iDrive® products are covered by IST's worldwide patent portfolio. For more information please refer to [www.istl.com/patents](http://www.istl.com/patents).

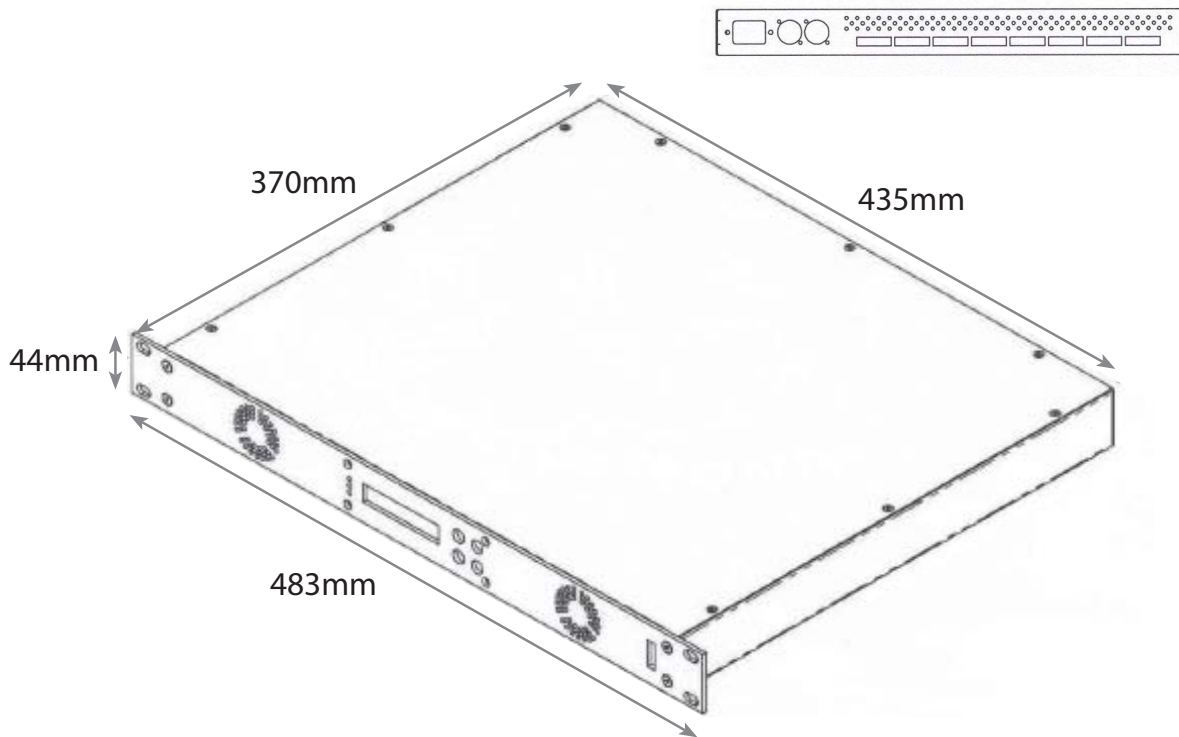


19" 1U RACK MOUNTED 672W, 24 OUTPUT LED DRIVER  
DMX & RDM compatible. Dynamic power control.

Version:  
2.3

Force 24<sup>™</sup>

### Dimensions



### Recommended options

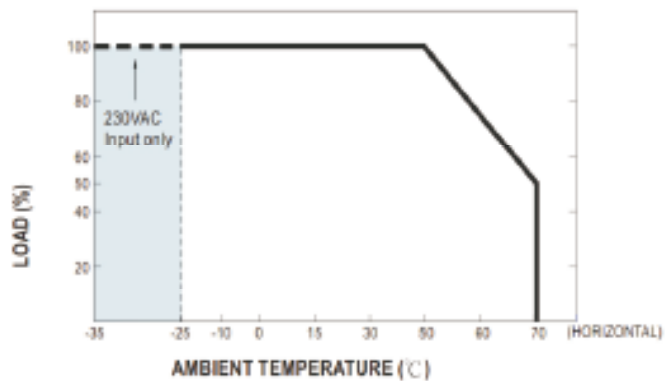


**Double Section  
Rack Enclosure**  
8U Code: 1STL-DW08U  
12U Code: 1STL-DW12U



**DMX Cable**  
Code: XLR010 1metre  
XLR020 2metre  
XLR050 5metre  
XLR100 10metre

### Derating curve



19" 1U RACK MOUNTED 672W, 24 OUTPUT LED DRIVER  
DMX & RDM compatible. Dynamic power control.



[www.istl.com](http://www.istl.com)

t: +44 (0)121 362 1810 e: [sales@istl.com](mailto:sales@istl.com)

Integrated System Technologies Ltd., Serenity House, 31 Gate Lane, Sutton Coldfield B73 5TR