

# iDRIVE®

CENTRALISE • OPTIMISE • ECONOMISE

## Thor 36™ Power & Ethernet



### Product Overview

The market leading iDrive® LED driver range now comprises the 2000W iDrive® Thor 36. The iDrive® Thor 36 is the worlds highest powered LED driver specifically designed for constant voltage LED products. The Thor 36 can be dynamically configured to operate from 12V to 28V constant voltage LED systems with each output capable of providing up to 8A each up to a maximum of 80A across all 36 channels.

Advanced control technology combined with the powerful ieOS operating system enables users to dim the constant voltage fixtures in 8-bit or 16-bit mode giving unprecedented accuracy for dimming & colour control. The system has been designed to operate using DMX, RDM, Art-Net 3, DALI, DSI & TCP/IP protocols and LED output channels can operate in common anode mode.

Special features include over voltage, under voltage, short circuit and power optimisation functions. The Thor 36 is ideally suited to TV and film applications due to its high frequency, high resolution outputs that can be dynamically programmed up to 65kHz.

The Thor 36 also provides an advanced routing and protocol conversion engine to convert between DMX, RDM, DALI, DSI and Ethernet protocols ensuring that you can deliver any project.

#### Features

- High power density - 2kW constant voltage output power
- Slim 19 Inch rack mounted driver system - 1U
- DMX, RDM, Art-Net 3, sACN, DALI & TCP/IP, Art-Osc protocol support
- Thor 36 provides advanced protocol routing and conversion
- Thor 36 drives up to 36 independent channels
- Universal mains input, 100V AC - 240V AC
- Backlit 16x2 LCD display menu system or PC system
- Up to 8A per channel (MAX.)
- 8 to 16-bit resolution with pulse frequency up to 65kHz.
- Programmable DC output voltage from 12V to 28V (+/- 0.5V)
- Intelligent rack management system for easy rack plug and play system configuration
- Common anode configuration
- Short circuit protection
- Real time LED current & voltage monitoring
- HTP merging of 2 DMX controllers
- Linear and curve output curve options

### Electrical Specifications

#### Input

Input Voltage Range: 100 - 240V AC  
 Input Frequency: 50 - 60 Hz  
 Consumption: 1 – 2000 Watts  
 PFC @ MAX input power: 0.985  
 Efficiency: >90% at full load  
 Connection: Standard IEC mains filter  
 Stand-by power: below 20W  
 No Load Power (total) = 14W or 0.39W per output  
 No Load PFC = 0.23  
 Insulation Class: 1  
 Max Peak Inrush @ 230V: 50A  
 Start up time: 5 seconds

#### Output

Output Power: 1-192 Watts per channel  
 Output Current: 0 - 8A per channel MAX.  
 Voltage Range: 12 - 28V DC (+/- 0.5V)  
 LED Connection: 3 x 24 Pin, 3.81mm pitch terminal connectors

#### Control Input

Dimming control: DMX, RDM, Art-Net 3, sACN, DALI, DSI & TCP/IP, KiNet  
 Connection: 5-Pin XLR-DMX, 2x RJ45-DMX, 2-Pin DALI & 10/100 Mbps RJ45 Ethernet.  
 Dimming Range: 0 - 100%  
 DMX Address Range: 001 - 512 via Menu, RDM,TCP/IP system  
 Programs: See user manual for all pre-sets  
 Master / Slave Arrangement: See user manual  
 Dimming Resolution: Between 8-bit and 16-bit

#### Mechanical

Mounting: Standard 19" – 1U Rack System  
 Construction: Steel case to IP20  
 Weight: 7.5kg

#### Environmental

Operating Ambient Temperature: -10°C to + 40°C  
 Storage Ambient Temperature: -20°C to + 50°C  
 Case Temperature: + 65°C  
 Relative Humidity: 80% non condensing

#### Protection

Over voltage, Over Temperature, Overload, Short Circuit, Over power, Withstand 300V AC surge input for 5 seconds

\* Suitable for resistive loads and certain non-resistive loads in low frequency modes.

### Part Numbers

IST Part No.	Notes
IDT1920-36-T-28V	No mains lead
IDT1920-36-T-IEC-28V	UK mains lead



19" 1U RACK MOUNTED 2000W, 36 OUTPUT LED DRIVER  
DMX, RDM, TCP/IP & DALI compatible

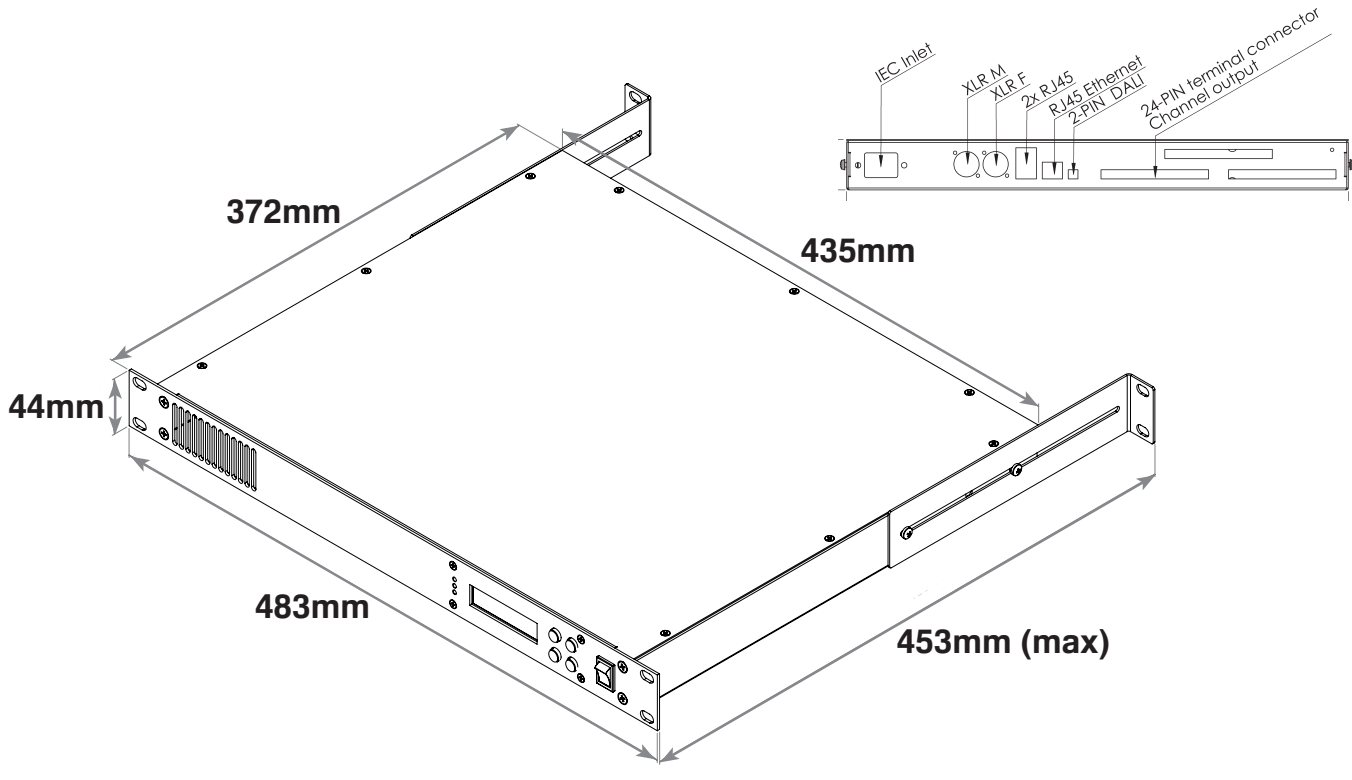
Version: 7.7a



CENTRALISE • OPTIMISE • ECONOMISE

# Thor 36™ Power & Ethernet

## Dimensions



## Recommended options

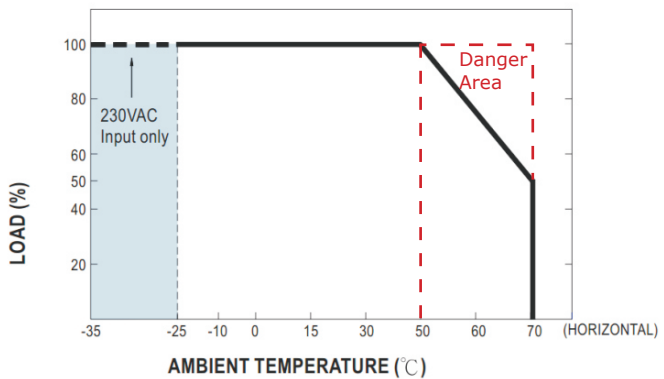


Double Section  
Rack Enclosure  
6U Code: ISTL-DW06U  
12U Code: ISTL-DW12U



DMX Cables  
Code: XLR010 1metre  
XLR020 2metre  
XLR050 5metre  
XLR100 10metre

## Derating curve



[www.istl.com](http://www.istl.com)

t: +44 (0)121 362 1810 e: [sales@istl.com](mailto:sales@istl.com)

Integrated System Technologies Ltd., Serenity House, 31 Gate Lane, Sutton Coldfield B73 5TR

19" 1U RACK MOUNTED 2000W, 36 OUTPUT LED DRIVER  
DMX, RDM, TCP/IP & DALI compatible