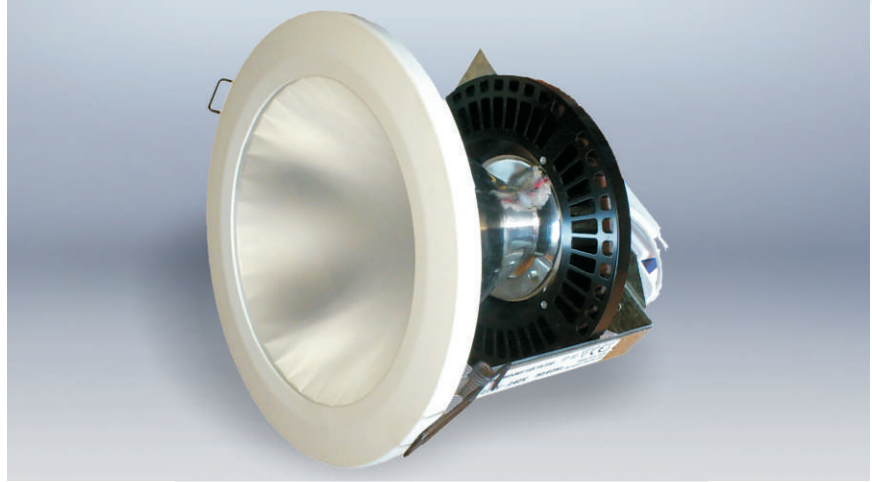


VESTA 165mm

- Mains dimmable, 1-10V and DALI+ dimming options
- Even illumination using special nano-technology
- Part L compliant - up to 60lm/W
- Unique CFD optimised heatsink
- Latest graphite thermal interface materials
- Healthy lighting
 - No LED pulsing used
- Reduces air conditioning costs



Product Overview

The VESTA Dimmable LED Downlighter range offers an energy efficient lighting alternative to CFL, tungsten halogen and GLS lamp sources, with the benefit of a maintenance free light source and a light engine lifetime of >60,000 hours from a 20W or 23W LED cluster. This is a fit and forget fitting.

The VESTA range is constructed with high quality die-cast anodised aluminium components and can be fitted with different attachments to suit application. The VESTA LED Downlighter range is ideal for retail, hotels, corridors or public areas where maintenance may be an issue and there is a need to save energy.

The downlighters are supplied complete with an IST iDrive® multiDIM, DALI+ or 1-10V dimmable LED power supply.

Standard Models Available

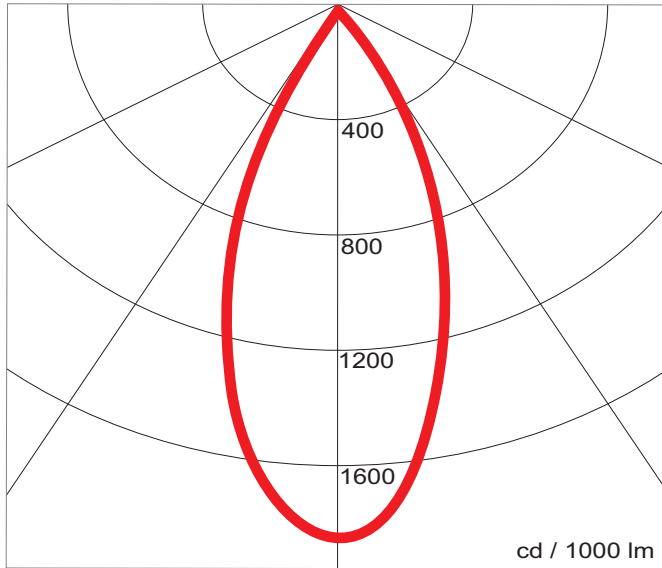
Product Code	Input Power	LED Qty	Driver	CCT	CRI (Typ)
VE01402/3000WF037/009/0700	23W	9	IDM020292	3000K	85
VE01402/4000WF037/009/0700	23W	9	IDM020292	4000K	85
VE01402/3000WF037/016/0350	20W	16	IDM019542	3000K	85
VE01402/4000WF037/016/0350	20W	16	IDM019542	4000K	85

Add suffix '-EM' for emergency models

VESTA 165mm

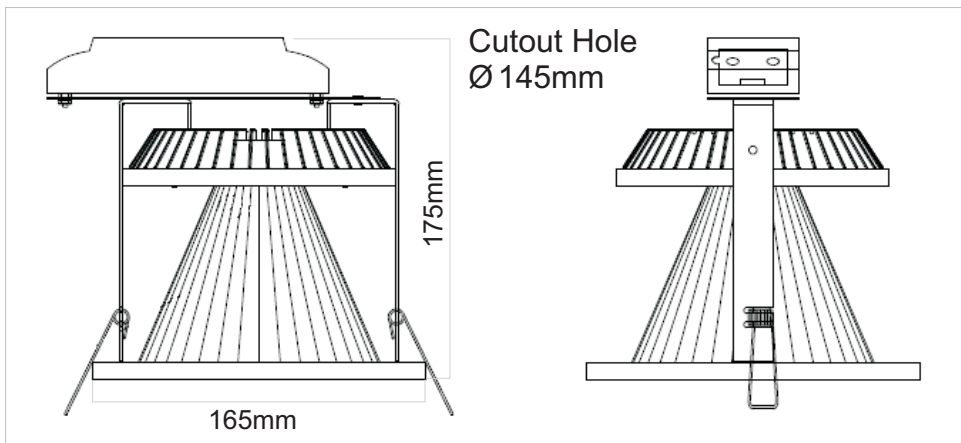
Optical Performance

VESTA 9 LED 3000K 700mA



Offset [m]	Cone width [m]	Illuminance [lx]
C0-C180 Plane		
1.0	0.69	1652.3
2.0	1.39	413.1
3.0	2.08	183.6
4.0	2.78	103.3
5.0	3.47	66.1

Dimensions



For More Information Contact

Serenity Lighting

Tel: +44(0)1922 457 712

Email: sales@serenitylighting.co.uk

Suite 5, Birch House
Birch Lane Business Park
Birch Lane
Aldridge
West Midlands
WS9 0NF
United Kingdom

