

iDRIVE®

CENTRALISE • OPTIMISE • ECONOMISE

White Knight 36



- Integrated lighting control system
- Up to 1000W across 36 fixture outputs
- 100-1000mA programmable constant current output
- Over 6 control protocols implemented
- DALI, DMX, RDM, Art-Net, sACN, Art-Osc, TCP/IP

Product Overview

The market leading iDrive® LED driver range now includes the 1000W iDrive® White Knight 36. The White Knight 36 is the worlds first LED driver to integrate an advanced control system alongside a powerful 1000W driver stage that can control up to 36 independent output channels, along with the widest ever range of dimming control protocols.

The White Knight 36 can be dynamically configured to use DALI, DMX, RDM, Art-Net 3, Art-Osc and sACN dimming protocols and is able to monitor external occupancy and ambient light sensors, without the need for expensive external control systems.

Advanced control technology combined with the powerful ieOS™ operating system enables users to dim the constant current fixtures in 8-bit or 16-bit mode, offering unprecedented accuracy for dimming and colour control.

The White Knight 36 utilises the patented HyperDrive™ driver technology which has been designed specifically to deliver medically effective lighting for both humans and animals alike. The HyperDrive™ system does not use current pulses to dim the outputs and so mitigates the risks of headaches or migraines after long exposure, which is often associated with other common PWM or pulse-based systems.

Main Features

- High power density 1000W constant current output power
- 1U rack mounted driver system
- DALI, DMX, RDM, Art-Net 3, TCP/IP, sACN & Art-Osc protocol support.
- White Knight 36 drives up to 36 independant channels
- Universal mains input, 100V AC - 240V AC
- Backlit 16x2 LCD display menu system or PC system
- 8-bit to 16-bit resolution with 32-bit HyperDrive™ option
- Multiple channel bonding to create high current outputs
- Short & open circuit protection
- Real time LED current & voltage monitoring
- HTP / LTP merging of 2 DMX controllers
- Linear and curve output options on each channel
- Up to 60 sensors capable
- Compatible with iMune® building control system

Electrical Specifications

Input

Input voltage range: 100 - 240V AC, 124 - 370V DC
Input frequency: 45 - 65 Hz
Consumption: 1 - 1125W (1000W output)
PFC @ MAX input power: 0.47 (230VAC) to 0.98 (115VAC)
Efficiency: >88% at full load
Connection: Standard IEC mains filter
Standby Power: <1 watts (total)
No load Power (total) = 40W or 1.1W per output
No load PFC = 0.47
Insulation class: 1
Maximum peak inrush current: 50A @ 230VAC, 25A @ 115VAC
Start up time: 8 seconds

Output

Output power: 0 - 48 Watts per channel (standard)
Output current: 0 - 1A per channel MAX
Voltage range: 1 - 48V DC
LED connection: 4 x 8 Pin, 3.81mm pitch terminal connectors

Control Input

Dimming control: DMX-512A, RDM, DALI+, Art-Net3, Art-Osc, sACN & TCP/IP. Optional
Connection: 5-pin XLR-DMX, 2xRJ-45 DMX, 2-pin DALI, 10/100 Mbps RJ45 ethernet & RJ11 S-Port sensors
Dimming range: 0 - 100%
DMX address range: 001 - 510 via menu, RDM, TCP/IP system to 65,535
Programs: See user manual for all pre-sets
Master / slave arrangement: See user manual
Dimming resolution: 8-bit, 16-bit & optional 32-bit HyperDrive™

Mechanical

Mounting: 19" Rack mounting
Construction: Steel case to IP20
Weight 7.5Kg

Environmental

Operating ambient temperature: -10°C to +40°C
Storage ambient temperature: -20°C to +50°C
Case temperature: +75°C
Relative humidity: 80% non condensing

Protection

Over voltage, over temperature, overload, short circuit, over power, withstand 300V AC surge input for 5 seconds

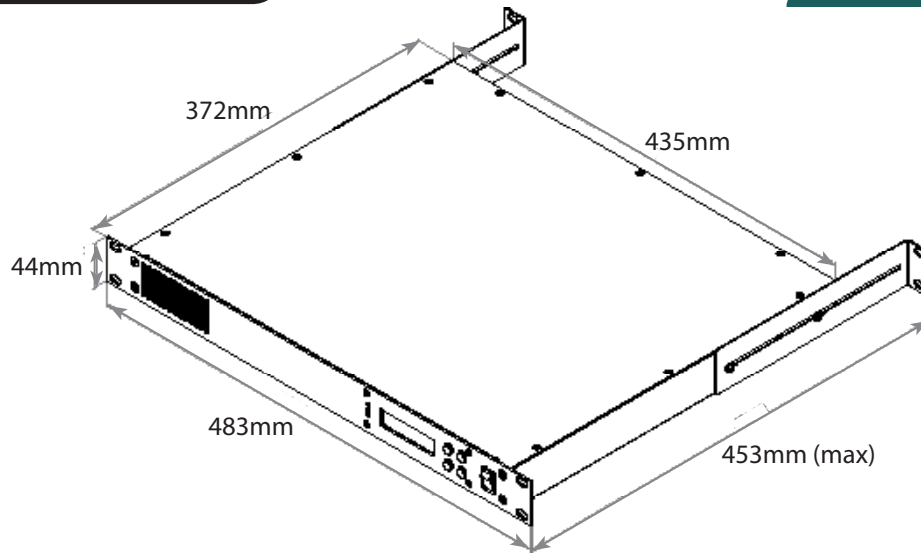
RACK MOUNTED 1000W, 36 OUTPUT LED DRIVER
DMX, RDM, DSI, Art-Net3, sACN, DALI & KINET compatible

iDRIVE®

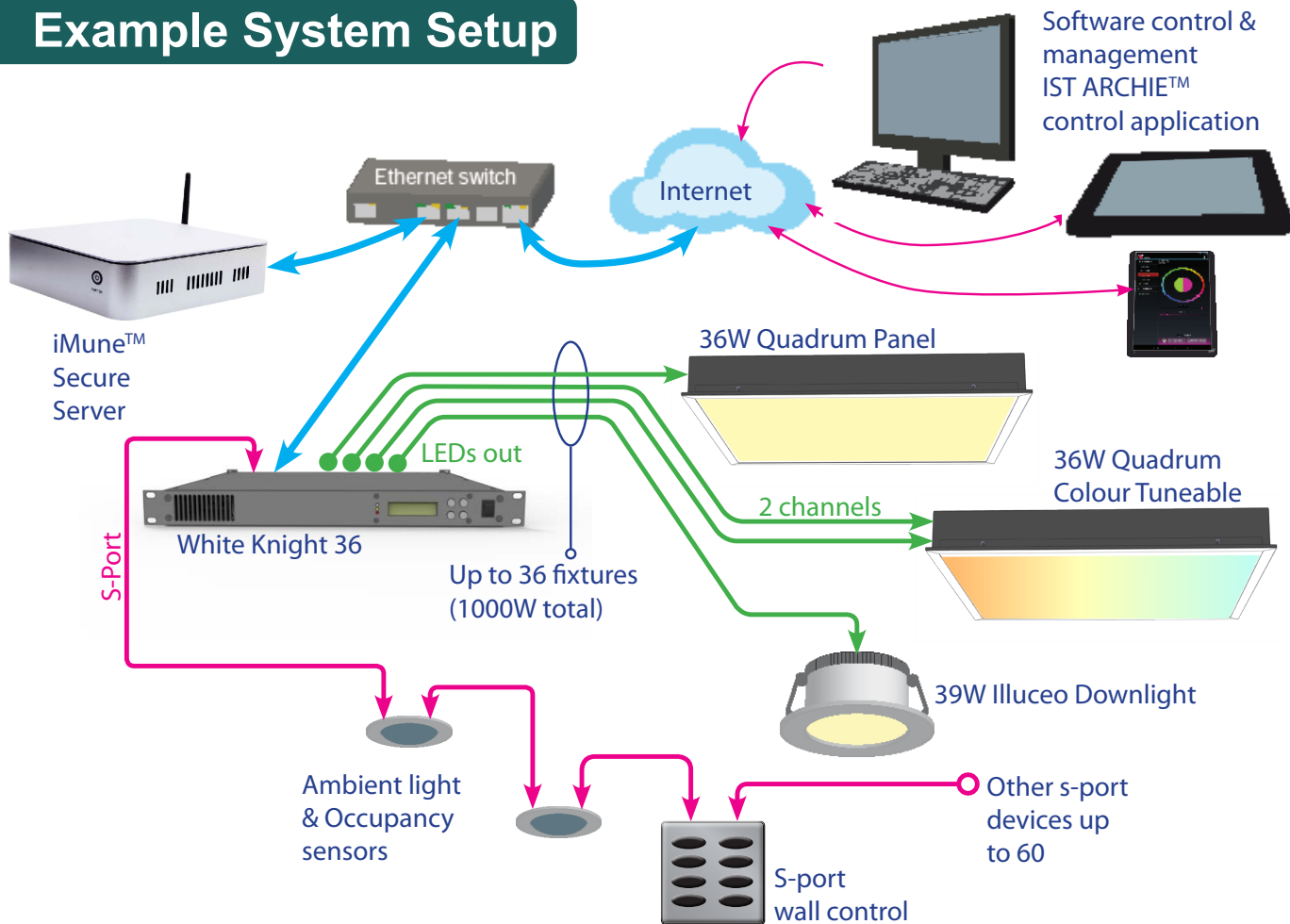
CENTRALISE • OPTIMISE • ECONOMISE

White Knight 36

Dimensions



Example System Setup



RACK MOUNTED 1000W, 36 OUTPUT LED DRIVER
 DMX, RDM, DSI, Art-Net3, sACN, DALI & KINNET compatible



www.istl.com

t: +44 (0)121 362 1810 e: sales@istl.com

Integrated System Technologies Ltd., Serenity House, 31 Gate Lane, Sutton Coldfield B73 5TR