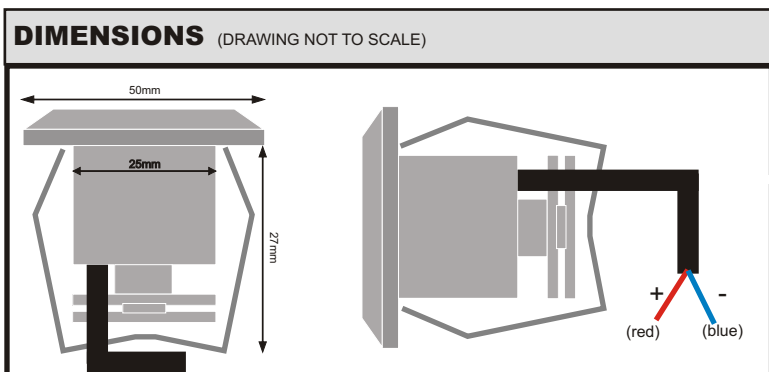


IN GROUND (with on board driver)

PLEASE READ ALL INSTRUCTIONS CAREFULLY BEFORE STARTING TO INSTALL THIS PRODUCT
NO RESPONSIBILITY IS TAKEN FOR DAMAGE CAUSED BY INCORRECT HANDLING, WIRING OR INSTALLATION

**** NOTE - THIS PRODUCT MUST BE WIRED IN PARALLEL AT ALL TIMES ****



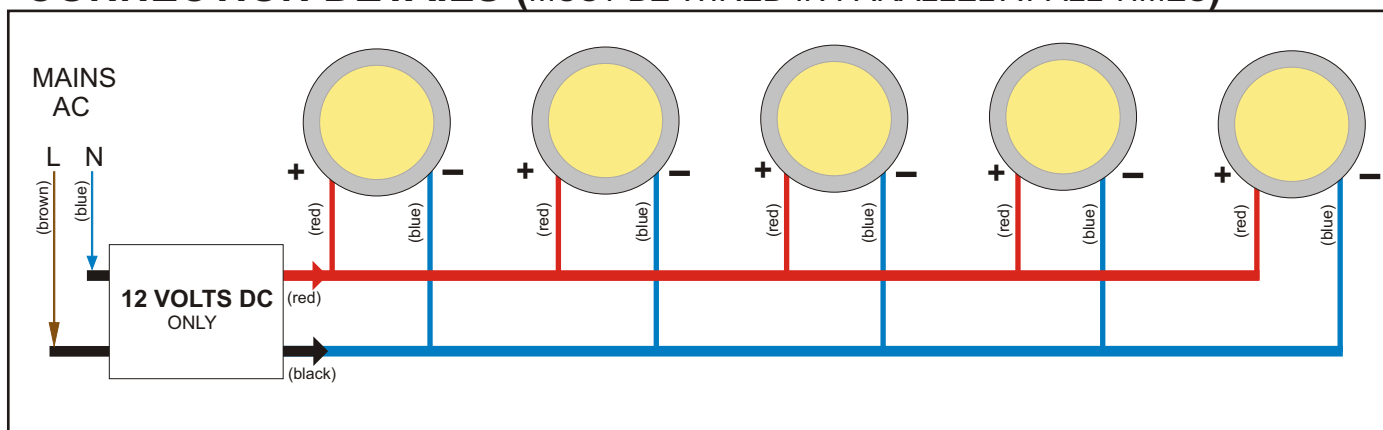
MAXIMUM POWER REQUIREMENTS

12 VOLTS DC

FITTING INSTRUCTIONS

- Determine where each light is to be fitted and mark centres.
- Using a spade bit or hole cutter drill a 28mm diameter hole to a depth of 35mm.
- If required drill out holes for connecting cables.
- Connect lights IN PARALLEL MAINTAINING POLARITY as per diagram below using appropriate connectors.
- Ensure all connections are properly made.
- Connect mains power.
- Try the lighting system.
- Fit the lights into the pre-drilled holes.

CONNECTION DETAILS (MUST BE WIRED IN PARALLEL AT ALL TIMES)



IMPORTANT

DO NOT ATTEMPT TO INSTALL THIS PRODUCT WITHOUT ADVICE FROM A FULLY QUALIFIED ELECTRICAL ENGINEER. FAILURE TO DO SO MAY CAUSE PERSONAL HARM OR DAMAGE TO THE PRODUCT.

IT IS IMPORTANT THAT THESE GUIDELINES ARE FOLLOWED AT ALL TIMES DURING INSTALLATION. THIS INFORMATION IS FOR YOUR SAFETY AND TO ENSURE THAT THE PRODUCT IS INSTALLED CORRECTLY.

THE PRODUCT MUST BE WIRED AS PER THIS DIAGRAM. IF THE PRODUCT IS WIRED INCORRECTLY IT WILL NOT FUNCTION AND CAUSE SEVERE INTERNAL DAMAGE TO THE DEVICE.