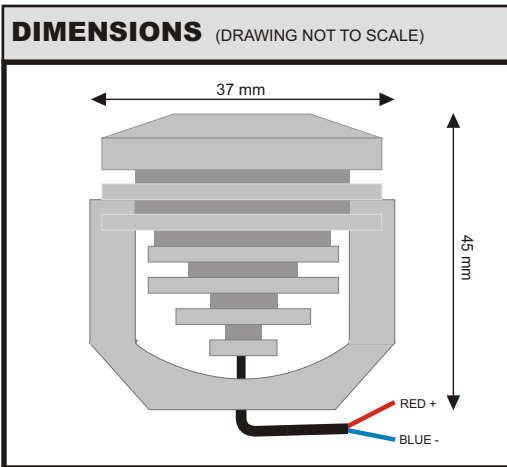


PLEASE READ ALL INSTRUCTIONS CAREFULLY BEFORE STARTING TO INSTALL THIS PRODUCT  
NO RESPONSIBILITY IS TAKEN FOR DAMAGE CAUSED BY INCORRECT HANDLING, WIRING OR  
INSTALLATION

**\*\*NOTE - THIS PRODUCT MUST BE WIRED IN SERIES AT ALL TIMES\*\***



## MAXIMUM POWER REQUIREMENTS

350mA - 700mA CONSTANT CURRENT SUPPLY

Forward Voltage (per light):

Typical 3.15V

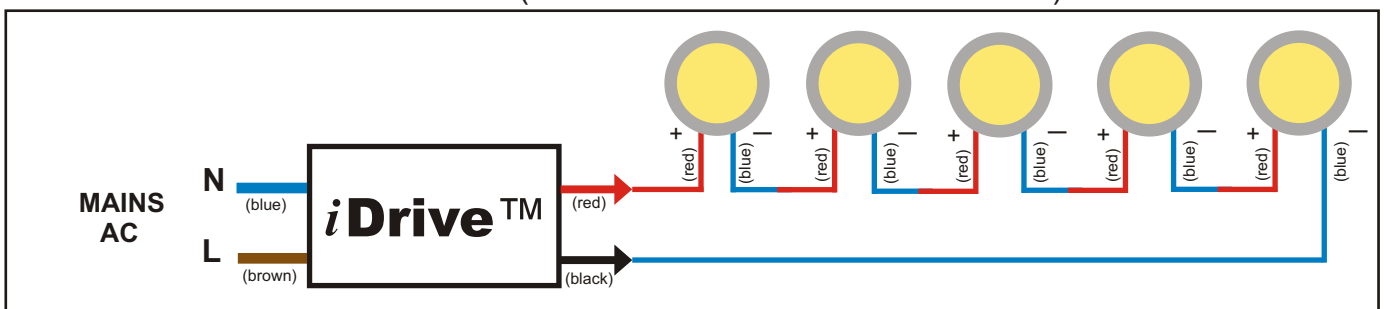
Maximum 3.99V

**\*\*EXCEEDING THESE VALUES WILL DAMAGE  
THE LIGHT BEYOND REPAIR AND VOIDS  
ANY WARRANTY\*\***

## FITTING INSTRUCTIONS

- Determine where each light is to be fixed and mark centres.
- Remove mounting brackets from lights using appropriate sized allen key.
- Drill and plug holes for screws to fit through the mounting bracket.
- Drill hole for input cable (if required).
- Fit the mounting bracket into the pre-drilled hole(s).
- Connect light IN SERIES as per diagram below using appropriate connectors.
- Ensure all connections are properly made.
- Connect mains power.
- Try the lighting system.
- Fit the light on the mounting bracket.

## CONNECTION DETAILS (MUST BE IN SERIES AT ALL TIMES)



## IMPORTANT

DO NOT ATTEMPT TO INSTALL THIS PRODUCT WITHOUT ADVICE FROM A FULLY QUALIFIED ELECTRICAL ENGINEER.  
FAILURE TO DO SO MAY CAUSE PERSONAL HARM OR DAMAGE TO THE PRODUCT.

IT IS IMPORTANT THAT THESE GUIDELINES ARE FOLLOWED AT ALL TIMES DURING INSTALLATION. THIS  
INFORMATION IS FOR YOUR SAFETY AND TO ENSURE THAT THE PRODUCT IS INSTALLED CORRECTLY.

THE PRODUCT MUST BE WIRED AS PER THIS DIAGRAM. IF THE PRODUCT IS WIRED INCORRECTLY IT WILL NOT  
FUNCTION AND CAUSE SEVERE INTERNAL DAMAGE TO THE DEVICE.