

### Standards

Converter meets CE standards  
Approval by UL as a class 2 recognized component  
File # E254177

### Available Versions

IST-LED 10W 10V DC  
(Plastic casing)  
IST-LED 10W 12V DC  
(Plastic casing)  
IST-LED 10W 24V DC  
(Plastic casing)  
IST-LED 10W 10V DC  
(Aluminium casing/ European version)  
IST-LED 10W 12V DC  
(Aluminium casing/ European version)  
IST-LED 10W 24V DC  
(Aluminium casing/ European version)  
IST-LED 10W 10V DC  
(Aluminium casing/ USA version)  
IST-LED 10W 12V DC  
(Aluminium casing/ USA version)  
IST-LED 10W 24V DC  
(Aluminium casing/ USA version)

### Mechanical and Thermal

PC plastic casing  
Dimensions(mm) 27 x 40 x 100  
Dimensions(in) 1.06" x 1.57" x 3.94"  
Weight 90 grams/ 3 ounces  
Tc MAX 90°C  
Ta MAX 50°C  
Terminal Block Connection

Aluminium casing/ European version  
Dimensions(mm) 23 x 40 x 81  
Weight 165 grams  
Tc MAX 90°C  
Ta MAX 50°C  
Output wire 18AWG 200°C  
Input wire FEP/FEP 0.75mm<sup>2</sup> 450V 180°C

Aluminium casing/ USA version  
Dimensions(in) 1.1" x 1.38" x 3.43"  
Weight 5.8 ounces  
Tc MAX 90°C  
Ta MAX 50°C  
Output wire 18AWG 200°C  
Input wire UL type 1332 or similar 18AWG 300V 200°C  
Grounding wire

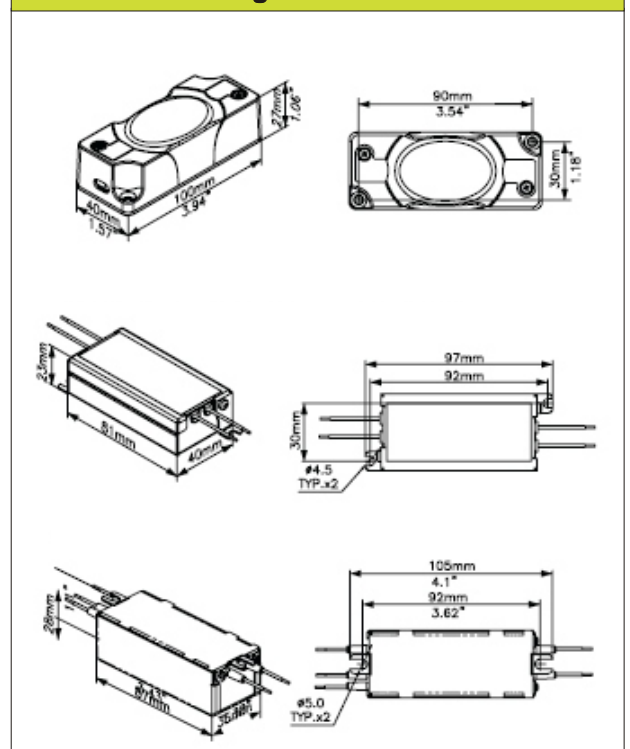
### Electrical Specifications

Load	1-10VA
Input	120-240V 0/50/60Hz
Output voltage	10V/12V/24V DC±10%
Efficiency 8V	>78%
EMC (RFI)	FCC Class A/EN 55015
Harmonics	EN 61000-3-2
Electrostatic Discharge	IEC61000-4-2
EMC Immunity	IEC61000-4-3
Burst	IEC61000-4-4
Surge	IEC61000-4-5
Injected RF	IEC61000-4-6
Mains interruption	IEC61000-4-11
Immunity	EN 61547/61047
Safety	EN 61347-2-13
SELV	

### Protection and Regulation

Electronic internal resettable short circuit protection. Overload regulation and thermal protection.

### Protection and Regulation



www.istl.com

Please note, UL marking on the driver is to be confirmed

