



SPECIFICATION

iDrive 6-700IP

Standards

Converter meets CE standards
VDE and VDE EMV pending
IP67

Available Versions

901006700-LED 6W DC 700mA
(European version)

Mechanical and Thermal

European version
Dimensions(mm) 45 x 45 x 25
Weight 92.8 grams
Tc Max 90°C
Ta Max 50°C
Output wire – Red, Black single
insulated 0.75mm² 300/500V 180°C
DIN VDE 0250
Input wire – Blue, Brown double
insulated 0.75mm² 300/500V 180°C
DIN VDE 0250
Waterproof potting

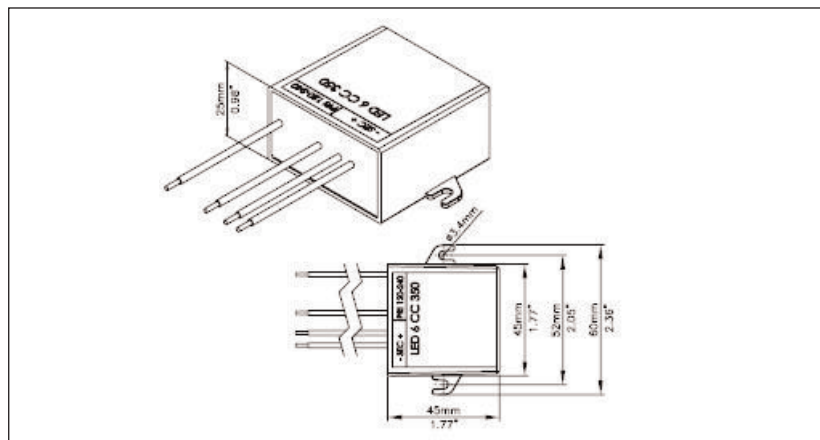


Electrical

Load	1.5-6VA
Input Voltage	100-240V 0/50/60Hz
Maximum input current	0.2A@100V 0.1A@240V
Output current	700mA+-50mA
Output voltage	2-10V
EMC (RFI) –	FCC Class B/EN 55015
Harmonics	EN 61000-3-2
Electrostatic Discharge	IEC61000-4-2
EMC Immunity	IEC61000-4-3
Burst	IEC61000-4-4
Surge	IEC61000-4-5
Injected RF	IIEC61000-4-6
Mains interruption	IEC61000-4-11
Immunity EN	61547/61047
Safety	EN 61347-2-2
SELV	

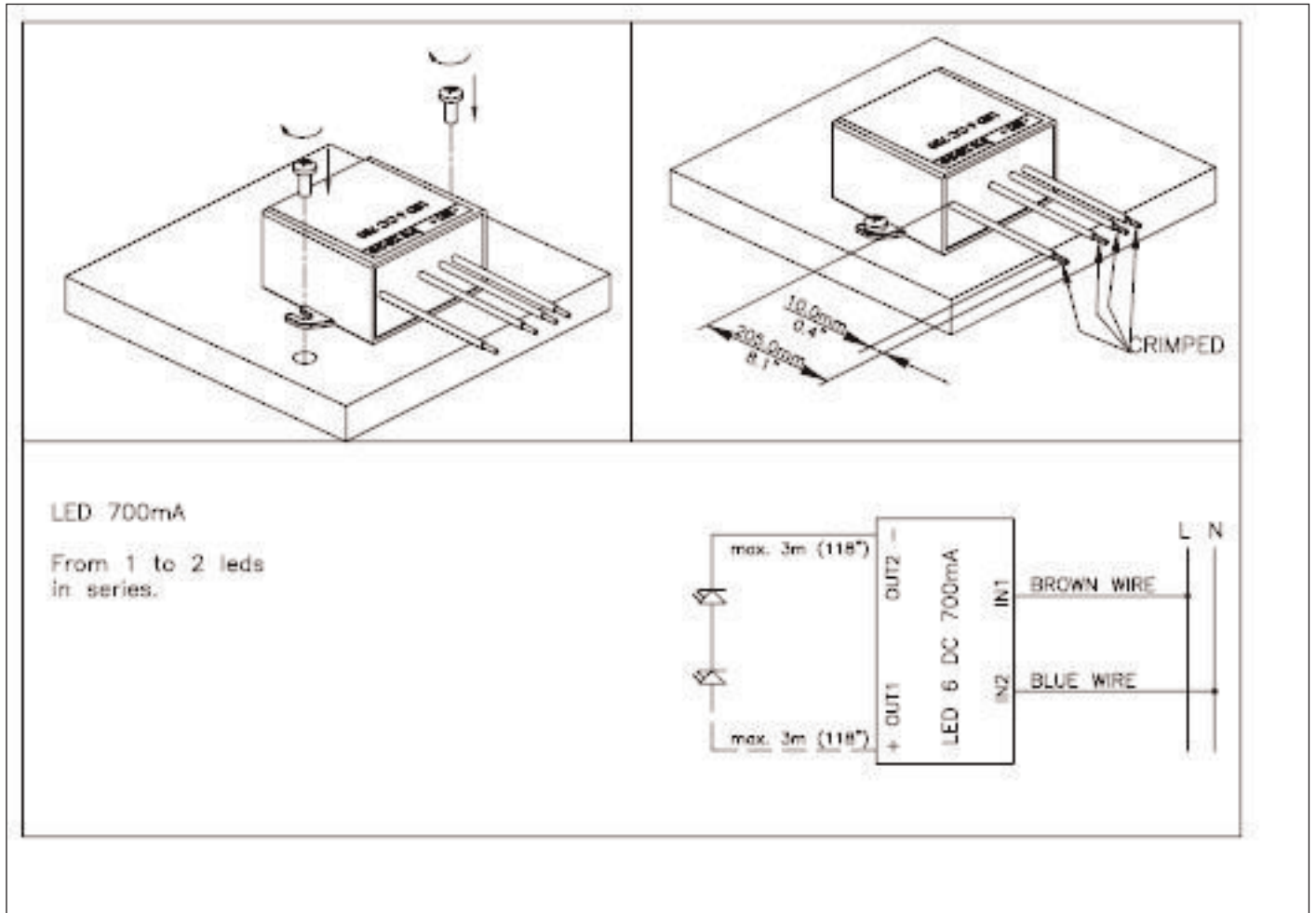
Protection and Regulation

Electronic internal resettable short circuit protection. Thermal protection and overload regulation.



iDrive 6-700IP

Mounting Instructions



Safet Instructions

1. Always disconnect power before installation and/or removal of the unit.
2. Install in accordance with national and local electrical codes.
3. Wires: Input and output wires 0.75mm² or 18 AWG.