



# SPECIFICATION

## iDrive 18-350IP

### Standards

Converter meets CE standard  
Pending VDE and VDE EMV

### Available Versions

901018350P-LED 18W DC 350mA P  
(European Version)

### Mechanical and Thermal

Dimensions (mm) 30.5 x 40 x 133  
Dimensions (in.) 1.2 x 1.57 x 5.24  
Weight 300 grams, 10.58 ounces  
Tc Max 90°C  
Ta Max 50°C

Aluminium casing

Output wire 0.75mm<sup>2</sup>/18 AWG Teflon

Input wire 0.75mm<sup>2</sup> /18 AWG 300V

180°C/200°C

Waterproof potting



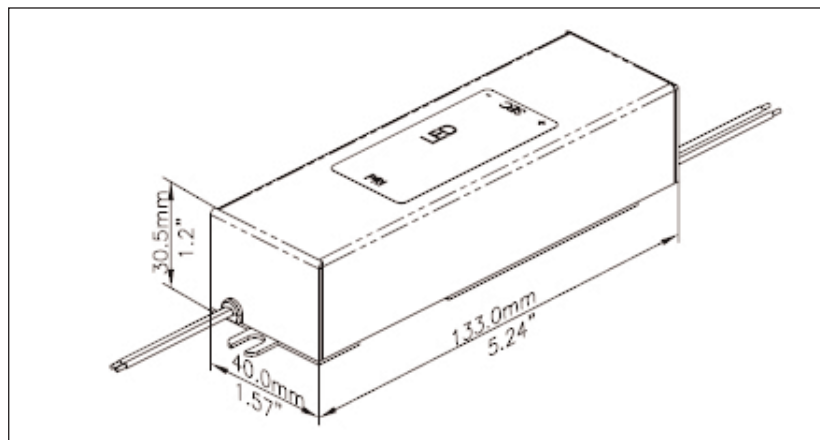
### Electrical

Load 5-18VA  
Input 100-265V 0/50/60Hz  
Output current 315-385mA  
Output voltage 12-58V  
Efficiency 79%  
EMC (RFI) – FCC Class B/EN 55015

Harmonics EN 61000-3-2  
Electrostatic IEC61000-4-2  
EMC Immunity IEC61000-4-3  
Burst IEC61000-4-4  
Surge IEC61000-4-5  
Injected RF IEC61000-4-6  
Mains interruption IEC61000-4-11  
Immunity EN EN 61547/61047  
Safety EN 61347-2-2  
SELV

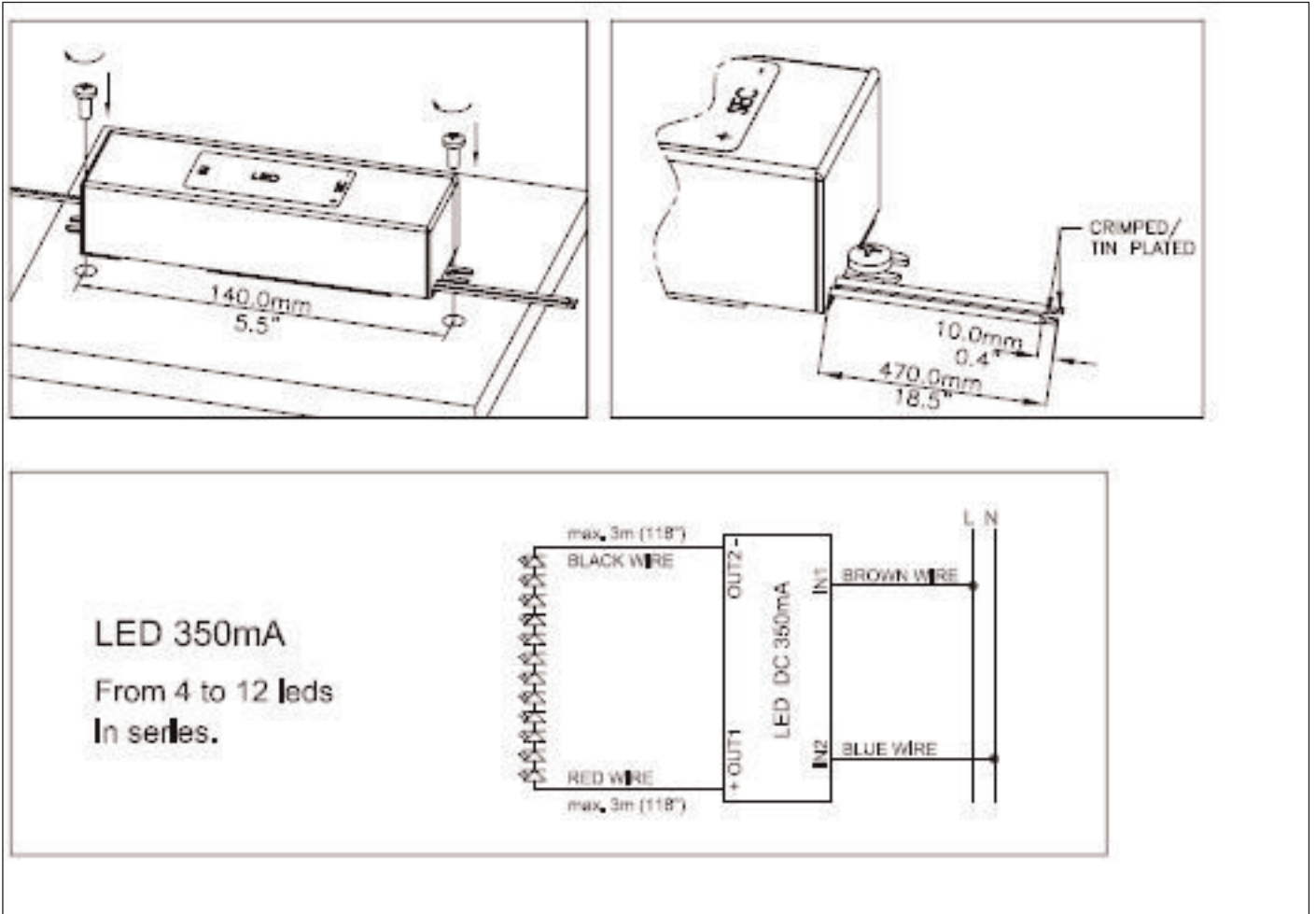
### Protection and Regulation

Electronic internal resettable short circuit protection and overload regulation.



# iDrive 18-350IP

## Mounting Instructions



## Safet Instructions

1. Always disconnect power before installation and/or removal of the unit.
2. Install in accordance with national and local electrical codes.
3. Wires: Input and output wires 0.75mm<sup>2</sup> or 18 AWG.